

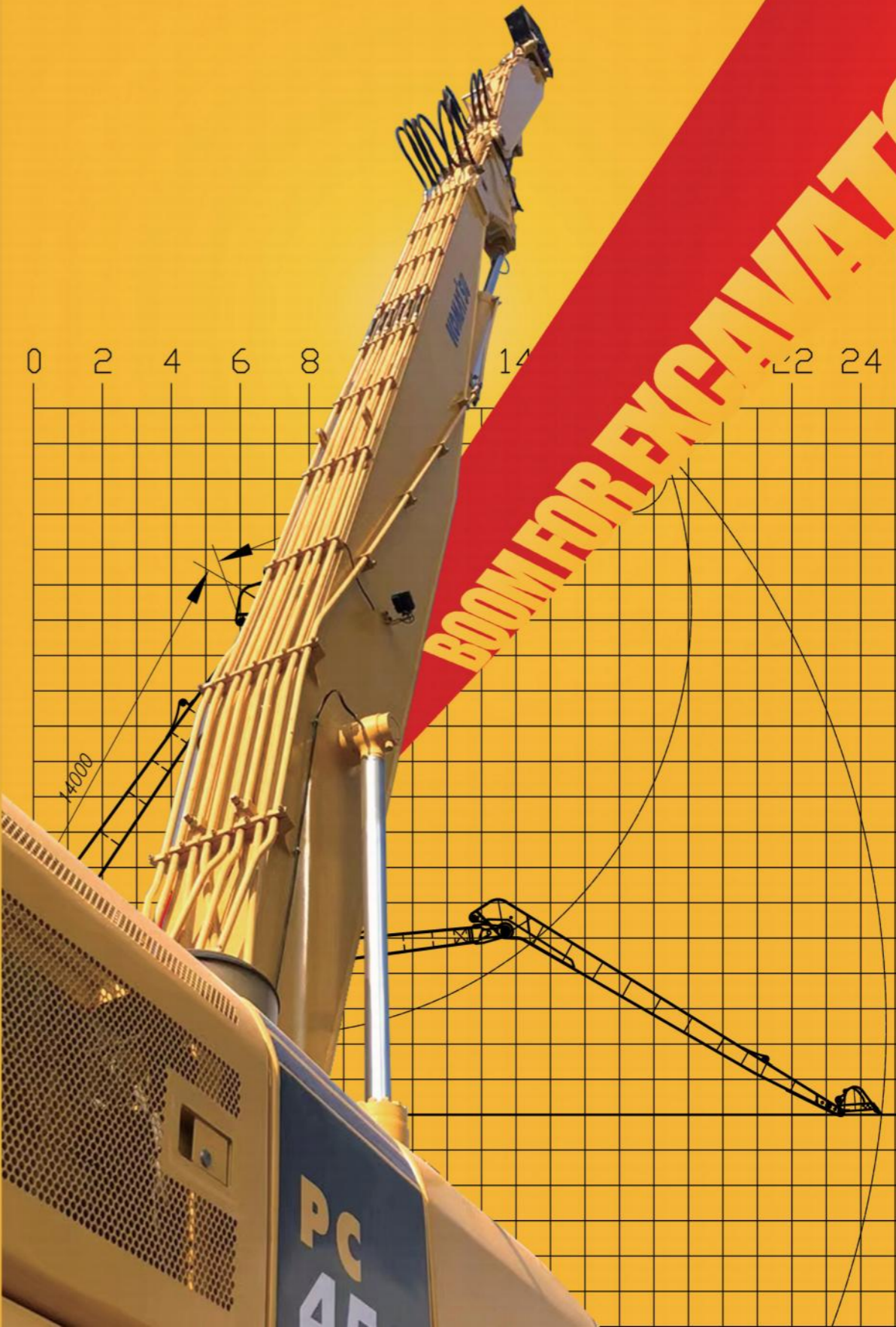
开平市众合机械制造有限公司
KAIPING ZHONGHE MACHINERY MANUFACTURING CO.LTD

LONG REACH

Manufacturer



BOOM FOR EXCAVATOR



联系人Attn : Nina 刘小姐
WhatsApp : 0086 15362217237/ TEL : 0086 7502889907
地址 : 广东省开平市翠山湖工业区环翠西路9号
网址 : www.excavatorboomarm.com / www.zhjx1688.com
邮箱 : whq@excavatorboomarm.com



开平市众合机械制造有限公司座落于美丽的广东省江门开平市翠山湖新区省一级工业园，是一家集研发、生产、销售一体化的企业。公司凭借专业的技术与设计研发，不断开发符合市场需求的高科技产品，始终站在行业的最前端。

公司目前有100多名员工，高级技术人才30名，目前具备年加工生产各类型臂的产量可达600套的规模。公司拥有18000多平方钢结构标准化厂房，大批高精度加工设备，如等离子、数控火焰切割机、先进铣边机、精准落地镗床、立式镗床、大型车床/钻床、大型抛丸处理车间、应力消除车间、大型卷板机、高纯度混合气体供气站等。

凭借多年来工程设备制造经验，自主研发、生产挖掘机加长臂、拉山臂、两段式伸缩臂、滑臂、三段式伸缩臂、三段式拆楼臂、岩石臂、隧道臂、液压振动锤、挖斗、打桩臂、抓木器、抓钢机、松土器等工程机械零配件，广泛应用在风化石破碎、地铁修建、林业砍伐、市政管道工程、河道清淤、楼房拆除、拉森钢板桩打拔、桩基工程、废铁回收等工程行业，产品行销40多个国家和地区。

公司拥有强大的技术研发团队，已获得100多项技术专利，处于行业领先地位。产品采用先进的2D、3D辅助设计，通过多方分析设计出更实用、高品质的产品。

“诚信是众合立足之本，品质是众合生存之道，市场是众合效益之源，创新是众合发展之魂，品牌是众合壮大之神。打造“众合”国际品牌，创新属具产业科技！”

开平市众合机械制造有限公司愿于各界朋友携手共进，共创美好明天！

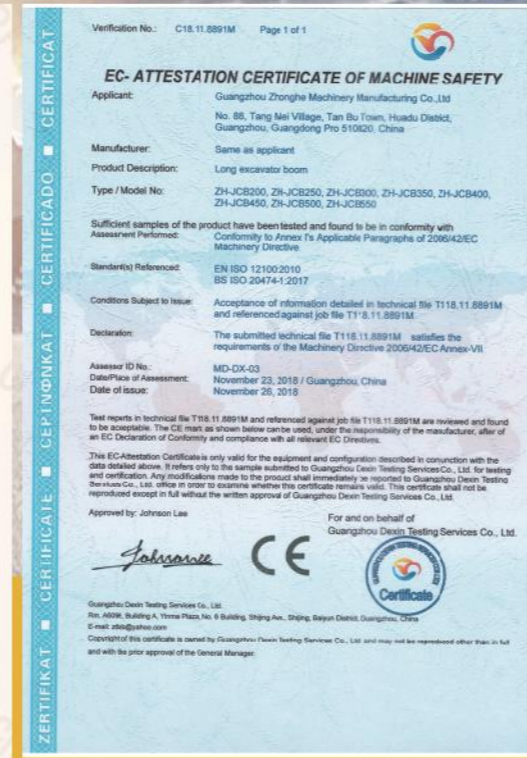
Established in 2018, Kaiping Zhonghe Machinery Manufacturing Co., Ltd. is a combination of manufacturing and trading, specializing in customizing different kinds of excavator boom arms and attachments. Our products, including excavator long reach booms, demolition arms, 2-3 sections telescopic arms, tunnel arms, standard/rock buckets, grapples, and rippers, have been selling well in more than 40 countries and areas.

We are located in Cuishanhu New District, Kaiping City, Jiangmen City, Guangdong Province, China, and we boast a 18000m² steel structure workshop with a large number of high precision processing equipment and a strong and cohesive team of over 100 experienced technical staff, 50 welding workers with over 7 years experience, 30 senior designers, and a high-tech R&D team(10+ years on customization, 100+ technical patents), strict production system (6+ years quality control and cost control) and warm-hearted service team. Our annual output of various types of excavator boom arms can reach up to 600 sets.

Kaiping Zhonghe Machinery Manufacturing Co., Ltd. are committed to providing our customers with products of the highest quality at a moderate price, with quick response and appropriate warranty. We strive to uphold our core principles of "Merit Quality, Sincerity Management, and Customer Satisfaction".

众志成城，合创未来！





CERTIFICATION
PATENT AND CE



CERTIFICATION
EXCELLENT SUPPLIER

CONTENTS

三段伸缩臂 03
Three-section telescopic arm
两段伸缩臂 04
Two-section telescopic arm

滑臂 05
Sliding arm

加长臂 06
Long reach boom arm

打桩臂 07
Pile driving arm

三段拆楼臂 08
High reach demolition boom

两段拆楼臂 09
Two-section demolition boom

隧道臂 10
Tunnel arm

重型岩石臂 11
Rock boom/arm/Ripper assembly

快接+倾斜快接 12/13
Hydraulic quick hitch+Tilt quick hitch

松土器+耙斗 14
Rock ripper+Root rake

抓钢机(2款) 15
Mechanical grapple

抓钢/石/木器(五爪&抱夹) 收集夹 16/17
Hydraulic steel/rock/log grab
Sorting grab

抓钳器 18
Orange peel grapple

铲斗夹+拇指夹 19
Clamp bucket+Hydraulic thumb

倾斜斗+清洁斗 20
Tilt bucket

岩石斗+栅格斗 21
Rock bucket Skeleton bucket

贝壳斗+粉碎钳 22
Clamshell bucket+Hydraulic pulverizer

高空液压剪 23
Multi crusher/Multi Shear

单缸大力剪 24
Single cylinder shear

双缸大力剪 25
Double cylinder shear

三角破碎锤 26
Side type hydraulic breaker

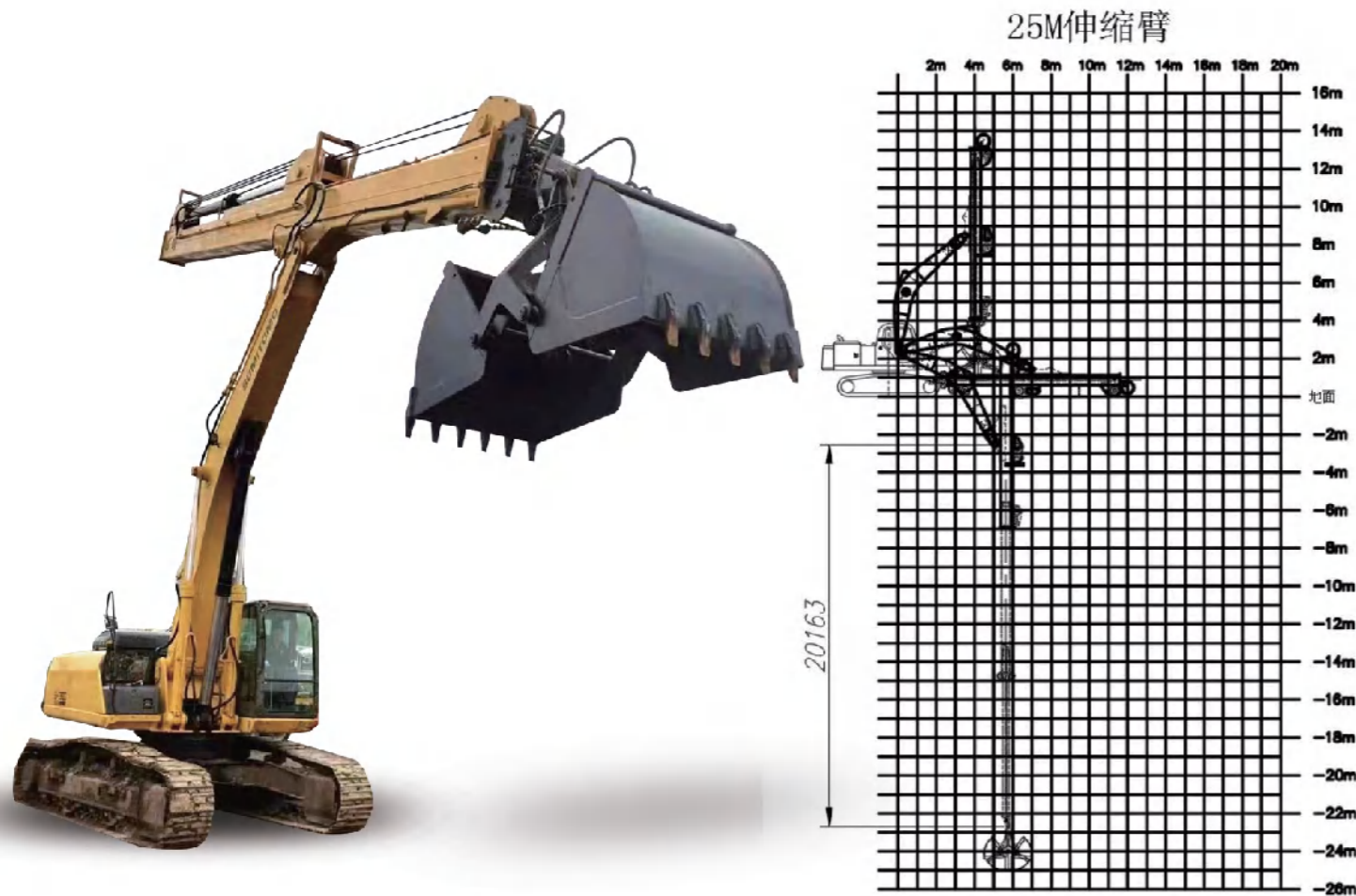
直角破碎锤 27
Top type hydraulic breaker

打桩机 28
Pile hammer

三段伸缩臂 (钢丝绳款) Three-section telescopic arm (Iron rope type)

该产品主要由固定体、滑动体、钢丝绳和伸缩油缸组成。通过改变滑动体数量来达到理想的作业半径和垂直挖深范围。一般配合贝型斗使用，行程长，可完成深坑挖掘作业(抓土、抓沙、抓煤等)。

This product mainly consists of a fixed body, sliding body, steel wire rope and a telescopic cylinder. By changing the number of sliding bodies, an ideal working radius and vertical excavation range can be achieved. Generally used in combination with a bucket, it can complete deep pit excavation tasks, such as grabbing soil, sand or coal.



两段伸缩臂 Two-section telescopic arm

该产品主要由固定体、滑动体和伸缩油缸组成。臂筒采用高强度700材质，内置伸缩油管，能够有效避免障碍物对于管路的损伤。它还具有负载伸缩功能，能越过部分障碍直接施工作业，一般携带挖斗使用，可完成深坑挖掘；也可配合贝壳斗用于抓土、抓沙、抓煤等。

This product is mainly composed of a fixed body, a sliding body and an extendable cylinder. The arm is made of high-strength 700 material. Embedded hydraulic hoses can effectively prevent damage caused by obstacles. It also has a load-extension function, which can work over some obstacles directly. Generally, it carries a bucket to complete deep pit excavation as well as be matched with a clamshell bucket to grab soil, sand, coal, etc.



挖机 Excavator(ton)	最大深度 Max Depth(mm)(C)	有效长度 Effective Length(mm)(B)	斗容 Bucket Capacity(cbm)
6-10	10000	7600	0.2-0.3
11--15	14000	10500	0.4-0.6
20-30	16000	12500	0.8-1.5
30-35	20000	15500	1.3-1.66
30-35	25000	20500	1-1.4
40-45	25000	20500	1.8-2.5
40-45	30000	25100	1.4-2

挖机 Excavator (ton)	最大深度 Max Depth (mm)(B)	有效长度 Effective Length (mm)(A)	斗容 Bucket Capacity (cbm)	油缸 Cylinder (ton)	配重 Counterweight (ton)
12-15	10000	8170	0.2	6	0
20-25	12000	8700	0.4	20	0
20-25	14000	10680	0.4	20	2T
30-35	16000	12080	0.6-0.8	22	1T

滑臂 Sliding arm

挖掘机滑臂是由由上滑动臂与下固定臂两部分构成，通过伸缩缸的伸缩来推动上滑动体前后自由伸缩，适用于地铁、顶管、沉井的挖掘。首创的双限位设计，减少滑臂的运行振动，提升油缸的使用寿命；滑动装置由以前的滑轮设计更改为滑块设计，降低故障率，同时采用的耐磨橡胶滑块更加容易更换与维护。

The excavator boom is composed of an upper sliding arm and a lower fixed arm. The upper sliding body is freely extended and retracted by the telescopic cylinder, which is suitable for the excavation of subways and pits. The pioneering double-limit design reduces the running vibration of the boom and improves the service life of the cylinder. The sliding device has been changed from the previous pulley to the sliding block, which reduces the failure rate, and the wear-resistant rubber sliding block is more easily replaced and maintained.



加长臂 Long reach boom arm

两段式加长臂可以不改变原有挖掘机的安装方式和使用性能，却极大提高了作业范围。主要适用于土石方工程，深堑挖掘作业，河道清淤作业等。

Two-section extendable arms can increase the range of operations without altering the installation and performance of the original excavator. It is mainly applicable to earth and stone engineering, deep trench excavation, river dredging and other operations.

- 优势：1. 提供深度定制
2. 材料上乘：Q355B、Q690D可选，大臂底座采用石墨铜套，宁波接头等
3. 大小臂夹角可达163°，挖掘半径与高度更大

- Advantages: 1. Customization according to working conditions.
2. Q355B and Q690D materials are optional
3. Adopt a graphite alloy copper sleeve in boom base.
4. The opening angle of boom and arm can reach 163°, allowing for a greater excavating radius and height.



挖机 Excavator (ton)	有效长度 Effective Length (mm)(A)	最大深度 Max Depth (mm)(B)	工作半径 Max Radius (mm)	斗容 Bucket Capacity (cbm)
12-15T	5700	8000	10400	0.2-0.3
20-25T	9150	10000	13000	0.4-0.7
20-25T	11000	12000	15200	0.4-0.7
30-35T	11000	12000	15800	0.6-0.9
40-45T	12100	16000	19200	0.8-1.3

挖机 Excavator (ton)	总长 Total Length (mm)	大臂 Boom (mm)	小臂 Arm (mm)	工作半径 Max Radius (mm)	最大深度 Max Depth (mm)	最大卸载高度 Max Unload Height(mm)	最大挖掘高度 Max Height (mm)	斗容 Bucket Capacity (cbm)
11-15T	13000	7250	5750	11200	9000	7550	9350	0.15-0.3
20-25T	15400	8220	7180	14500	11300	10400	12600	0.4-0.6
20-30T	18000	10000	8000	17300	13000	11800	14000	0.4-0.7
35-40T	20000	11000	9000	19200	14900	12900	15200	0.6-1.2
40-45T	22000	12000	10000	21300	16000	14000	17000	0.5-1
40-50T	24000	13000	11000	23000	17900	15200	18100	0.5-1.1

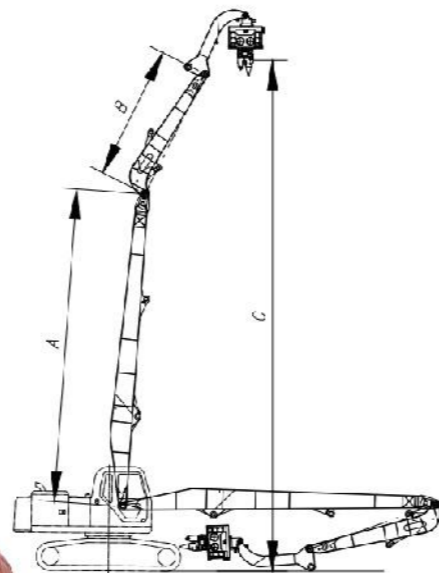
打桩臂 Pile driving arm

打桩臂广泛应用于市政工程、三水(生活污水、工业废水、雨水)分流工程、地铁、路桥等项目。

Pile driving arms are widely used in municipal engineering, three water(domestic sewage, industrial wastewater, rainwater) diversion engineering, subway, road and bridge projects.

产品优势: 大小臂下盖板加厚, 箱体内部采用双向加固筋板设计, 小臂耳坐受力位置采用分段式加厚板材处理, 整体提升了打桩臂的使用寿命。大小臂的打开夹角可以达到160度, 大臂与底座夹角可以达到88度, 提升了整体的打拔力度和工作效率。

Advantages: The thickness of the upper and bottom plate of the boom arm is increased, double reinforcing rib plates are used in the inner body, and the force bearing position of the arm ear is treated with segmented thickened plates, which overall increases the service life of the pile driving arm. The opening angle of the boom and arm can reach 160 degrees, and the angle between the boom and the base can reach 88 degrees, which increases the overall drilling and pulling force and working efficiency.

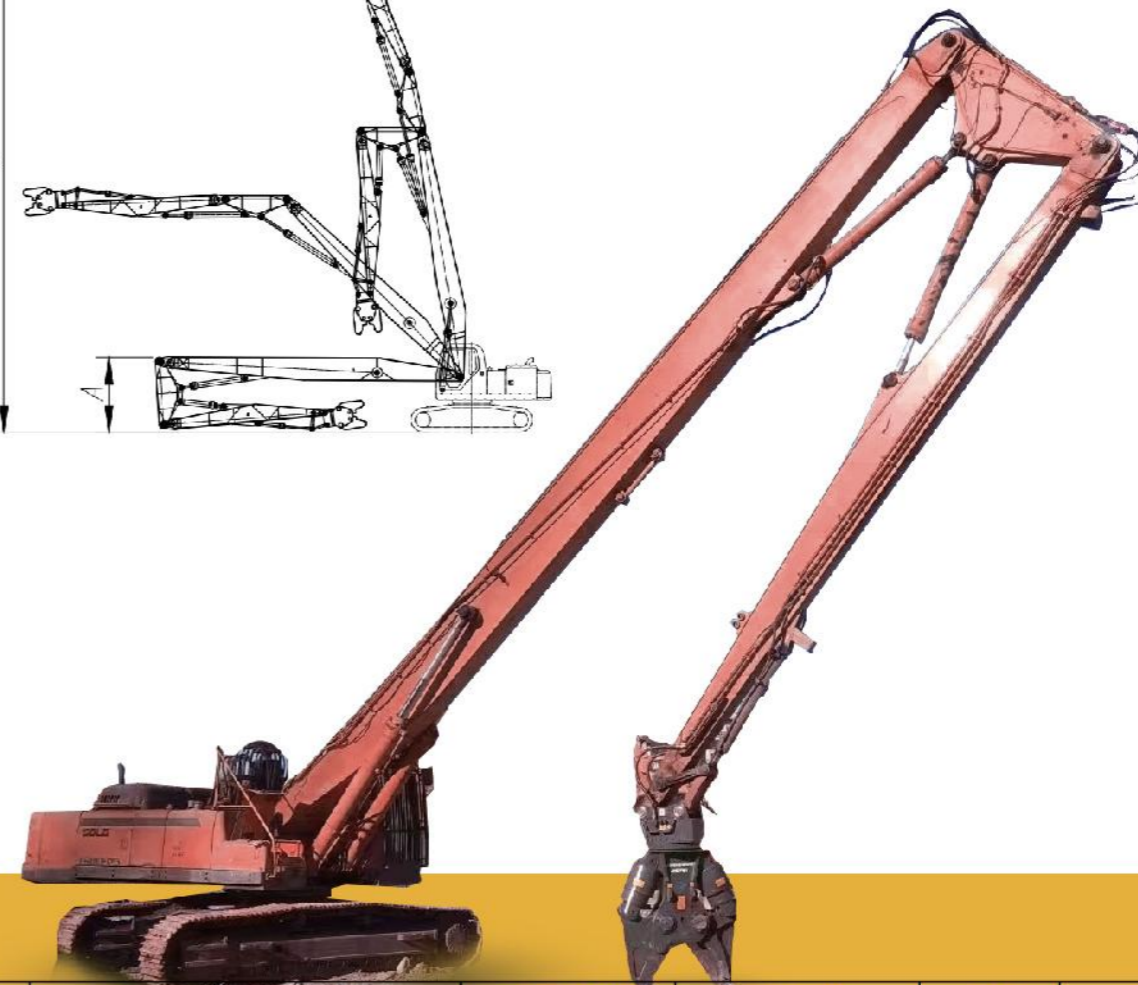
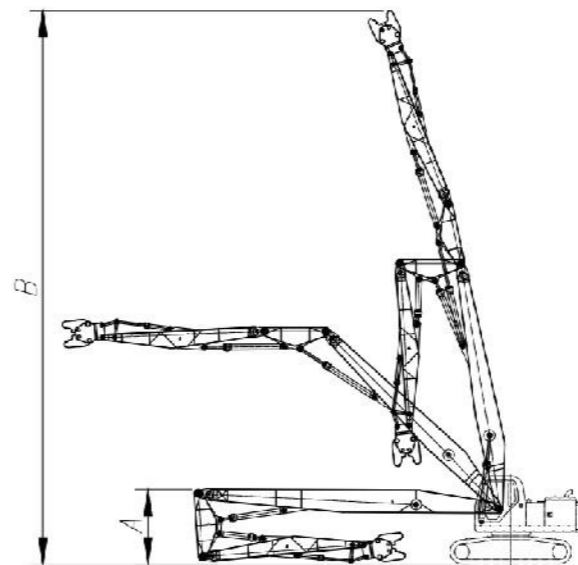


挖机 Excavator (ton)	总长 Total Length (mm)	大臂 Boom (mm)(A)	小臂 Arm (mm)(B)	打桩高度 Piling Height (mm)(C)	配重 Counterweight (ton)
30-36T	13800	10000	3800	15400	3T
30-36T	15000	10500	4500	17100	5T
40-45T	15800	11000	4800	17900	3T
40-45T	16800	11500	5300	18500	5T-6T
45-50T	19000	12500	6500	21000	6T-7T

三段拆楼臂 High reach demolition boom

三段拆楼臂在两段拆楼臂的基础上增加了一节中臂, 增加了作业安全距离, 通常配备破碎锤或者液压剪来进行高层建筑拆除工程。

A high reach demolition boom adds a middle arm to the two-section demolition boom, increasing the working safety distance. It typically equipped with a breaker hammer or a hydraulic shear for high building demolition projects.

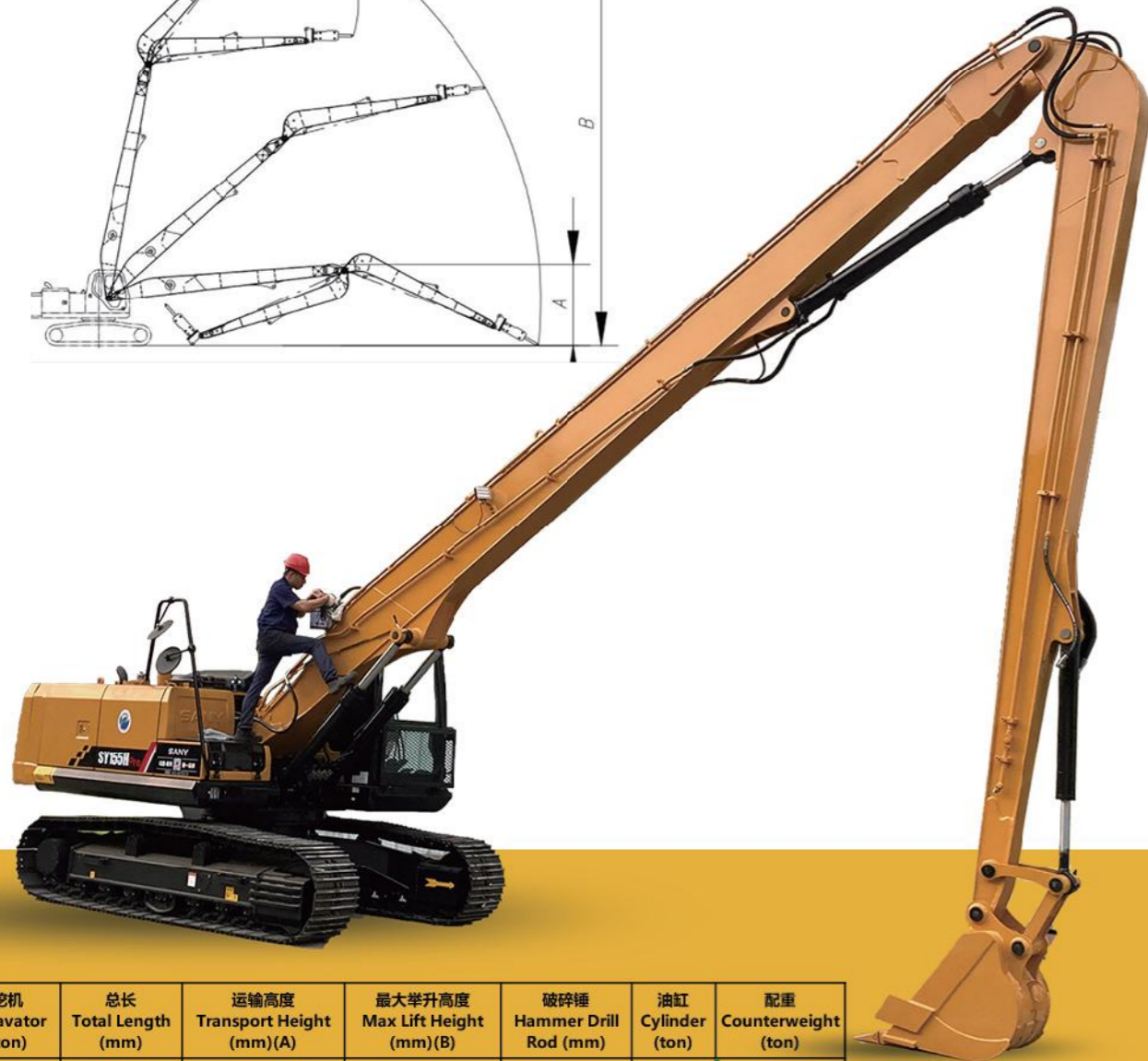
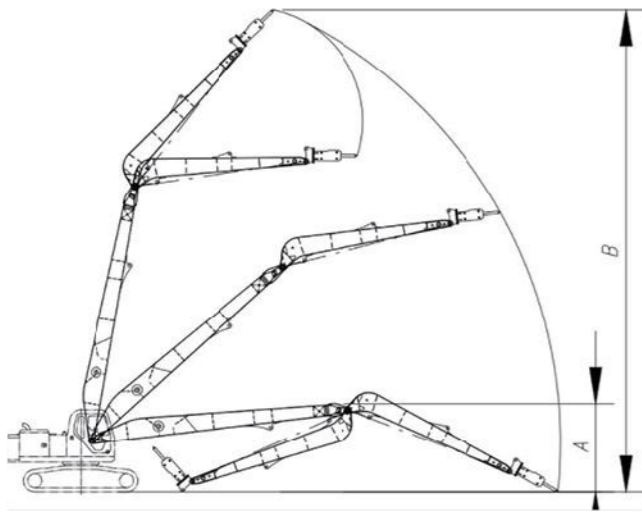


挖机 Excavator (ton)	总长 Total Length (mm)	运输高度 Transport Height (mm)(A)	最大举升高度 Max Lift Height (mm)(B)	液压剪限重 Limit weight of hydraulic shear(kg)	油缸 Cylinder (Ton)	配重 Counterweight (Ton)
25T	16000	3160	14900	2000	20T	4T
30T	18000	3300	17000	2000	20T	4.5T
35T	20000	3300	19000	2000	20T	4.5T
40T	22000	3400	21050	2000	20T	5T
45T	24000	3400	23100	2000	20T	5T

两段拆楼臂 Two-section demolition boom

两段拆楼臂通常配备破碎锤或者液压剪来进行高层建筑拆除工程，它与加长臂的不同在于大臂笔直，以达到更高的作业高度。

Two-section demolition boom is typically equipped with a demolition hammer or hydraulic shears for high building demolition projects. It differs from the long arm in that the boom is straight, allowing for a greater operating height.

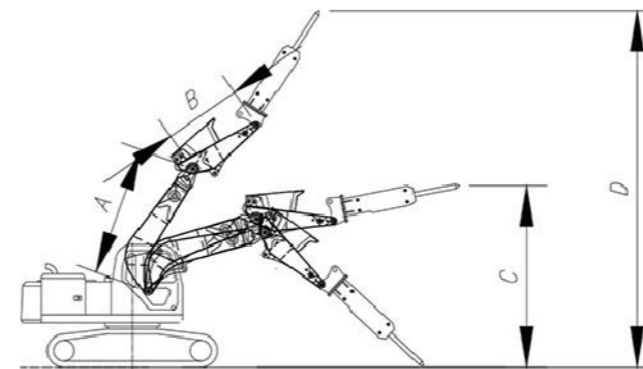


挖机 Excavator (ton)	总长 Total Length (mm)	运输高度 Transport Height (mm)(A)	最大举升高度 Max Lift Height (mm)(B)	破碎锤 Hammer Drill Rod (mm)	油缸 Cylinder (ton)	配重 Counterweight (ton)
6-8	8000	2800	9100	50	6	1
6-8	10000	3000	11000	50	6	1.5-2
10-16	12000	3000	13200	68	12	1-2
20-24	15000	3300	16300	100	20	1-2
25-28	18000	3400	19500	100	20	-
30-36	20000	3400	21600	100	22	2
40-45	22000	3400	23800	100	22	-
45-50	24000	3400	26000	100	22	-

隧道臂 Tunnel arm

隧道臂又称缩短臂，适用于隧道或其他狭隘工况。隧道臂可携带比标准臂大一个型号的破碎锤，增加工作效率。小臂灌入铁砂增重，能够更有力地压住破碎锤减少反弹。下置斗杆油缸，减少油缸的损伤及故障。

Tunnel arm, also known as shorted arm, are suitable for tunneling or other confined work conditions. Tunnel arm can carry a larger model of breaker than the standard arm, increasing work efficiency. The front arm is filled with iron sand, which can hold the breaker more firmly and reduce rebound. The bucket cylinder is placed below to reduce damage.

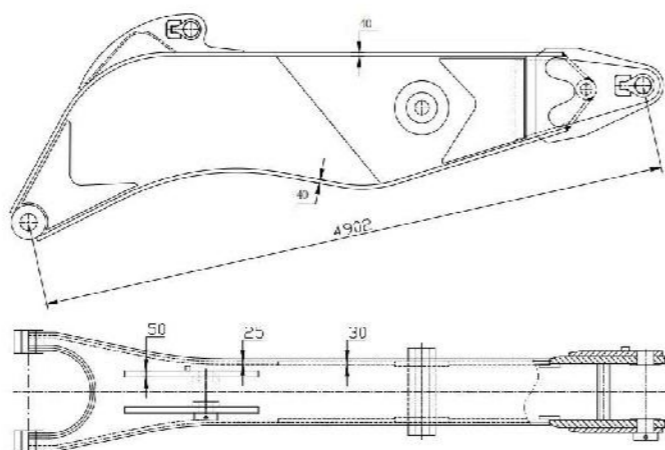


挖机 Excavator (ton)	总长 Total Length (mm)	大臂 Boom (mm)	小臂 Arm (mm)	最大挖掘高度 Max Height (mm)	最大挖掘深度 Max Depth (mm)(D)
20-25T	13000	3200	1900	4500	8500
30-36T	15400	4200	1900	5000	10500
40-45T	18000	4500	1900	5000	11000

重型岩石臂 Rock boom/arm/Ripper assembly

重型岩石臂是一种新型环保产品，将逐步取代老式爆破产品。通过增加大小臂重量以及配套的大功率挖掘机的自身重力，直接凿岩松石，完成一般设备无法力及的施工项目。该设备结构牢固、操作简单、工作效率突出，是挖掘风化石、冻土的好工具。

Heavy rock arm is a new type of environmental friendly product which will gradually replace the old-fashioned blasting products. By increasing the weight of the boom arm and the self-gravity of the excavator, it can directly drill rocks. This equipment is characterized by its strong structure, simple operation and outstanding work efficiency, making it a great tool for mining weathering rocks and frozen soils.



快速连接器 Excavator quick hitch

主要分为两种，一种是普通快接，另一种是倾斜快接。

主要特点：采用Q355B锰板钢材，强度高、耐腐蚀；
销轴采用42CRMO合金钢，强度高、韧性好；
油缸采用珩磨管，进口HALLITE油封，工作周期短、寿命长；
活动虎口卡簧圆盘保护设计，安全销加粗设计，安全可靠。

Features:

1. Adopt Q355B manganese steel plate, which provides high strength and corrosion resistance.
2. The pin is made of 42CrMo alloy steel, which has high strength and good toughness.
3. The cylinder adopts honing tube, imported HALLITE seal, with short working cycle and long service life.
4. The active tiger spring discs protection design and reinforced safety pin ensure safety and reliability.

普通快接HYDRAULIC QUICK HITCH

Item/Model 项目/型号	Unit 单位	ZHMINI	ZH45	ZH50/55	ZH60/65	ZH70/80	ZH90	ZH100/110
Suitable Excavator 适用挖掘机	ton	1.5-4	4-7	5-8	9-19	17-23	23-30	33-45
Pin to Pin Center Distance 轴中心距	mm	80-150	230-270	290-360	380-420	460-480	473-540	550-620
Forearm Open Width 小臂开档	mm	80-140	155-170	180-200	232-315	306-340	375-411	416-469
Retractable Distance of Oil Cylinder 油缸伸缩距离	mm	170-206	205-275	340-450	340-486	256-390	413-590	520-590
Top to Bottom Pin Distance 上下轴之间距离	mm	159	195	195	220	275	300	360
Pin Diameter 轴直径	mm	25-40	45-50	50-55	60-70	70-80	80-90	90-120
Working Pressure 工作压力	bar	32-40	32-40	32-40	32-40	32-40	32-40	32-40
Working Flow 工作流量	lpm	10-20	10-20	10-20	10-20	10-20	10-20	10-20

